

# XFP-E-OC192-IR2

## 10 Gb/s XFP 1550 nm Transceiver for SDH/SONET and 40 km transmission

### INTRODUCTION

The XFP-E-OC192-IR2 is an optical transceiver module for high-speed, 10Gbit/s data transmission applications. The module provides convenient and flexible optical interfaces for SONET / SDH, 10 GbE and 10 Gb/s Fibre Channel systems operating with or without FEC. It meets or exceeds the applicable ITU-T G.691, ITU-T G.709, Telcordia GR-253 and XFP MSA standards.

Designed for 40 km transmission distance the transceiver module comprises a transmitter based on a cooled 1550 nm IML laser, a receiver with a PIN photo diode. The transceiver operates within a wide temperature range of 0°C to +70°C and offers optimum heat dissipation and excellent electromagnetic shielding.

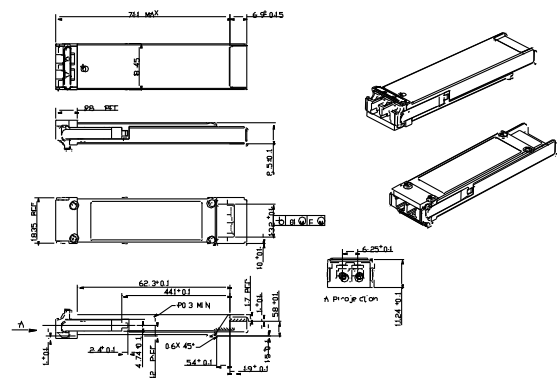
The transceiver is fully compliant to the XFP MSA Rev. 4.5.

### APPLICATIONS

- IEEE 802.3ae 10GBASE-LR 10.3125 Gb/s
- 10GFC Rev.4.0 1200-SM-LL-L 10.5128 Gb/s
- SDH/SONET ITU-T G.691, ITU-T G.709

### FEATURES

- Compatible with XFP MSA Rev. 4.5
- Compliant to IEEE 802.3ae 10GBASE-LR at 10.3125 Gbit/s
- Conforms with FibreChannel 1200-SM-LL-L at 10.51875 Gbit/s
- Compliant to SDH/SONET ITU-T G.691, ITU-T G.709
- Up to 40 km transmission on 9/125  $\mu$ m SMF G.652
- Hot pluggable 30 pin connector
- 1550 nm IML laser
- Duplex LC-connector interface
- Compliant with the EU RoHS 6 Environmental Requirements



Specification subject to change without notice.

### LASER SAFETY

This optical transceiver is a Class 1M laser product. It complies with IEC-60825 and FDA 21 CFR 1040.10 and 1040.11. The transceiver must be operated within the specified temperature and voltage limits. The optical ports of the module need to be terminated with an optical connector or with a dust plug.

### Ordering Information

Part no:	Description/Application
XFP-E-OC192-IR2	XFP, S-64.2b, 9.5-10.7 Gbps, 1550nm, 13 dB, 40 km

### Optical Parameters

Part no. Parameter	Wavelength [nm]	Opt. Output Power [dBm]	Opt. Receiver Sensitivity [dBm]	Power Budget[dB]
XFP-E-OC192-IR2	1550 nm	-1.0 to +2.0	-14 to -1.0	13

Specification subject to change without notice.